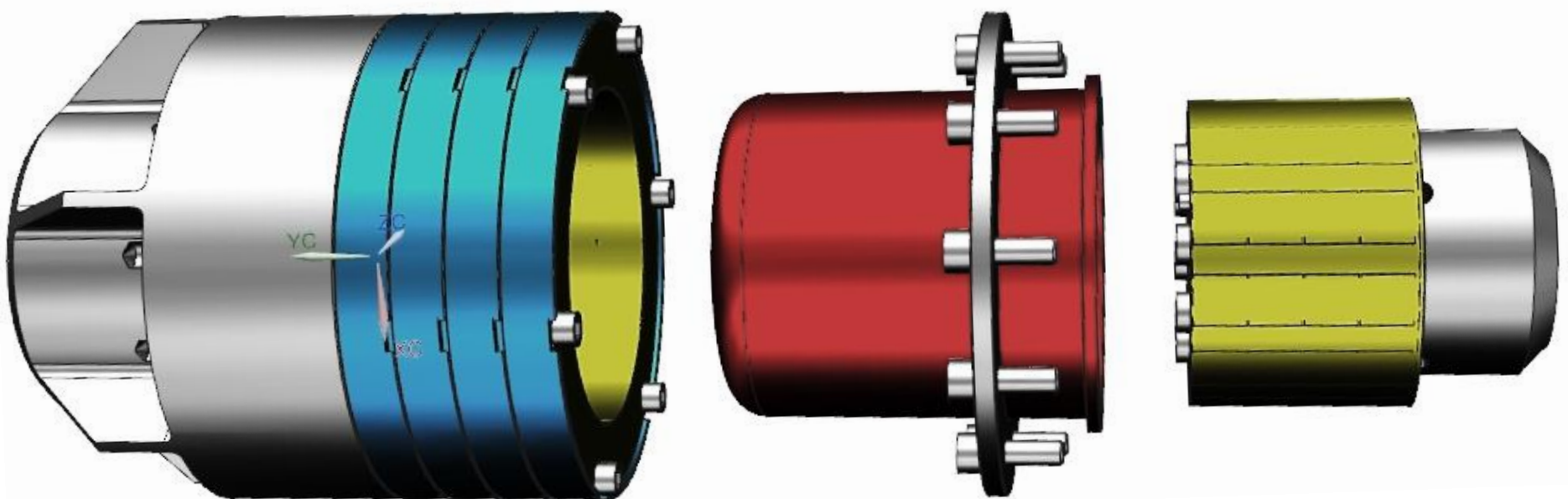


*Permanent  
Magnetic Couplings*  
**GME**

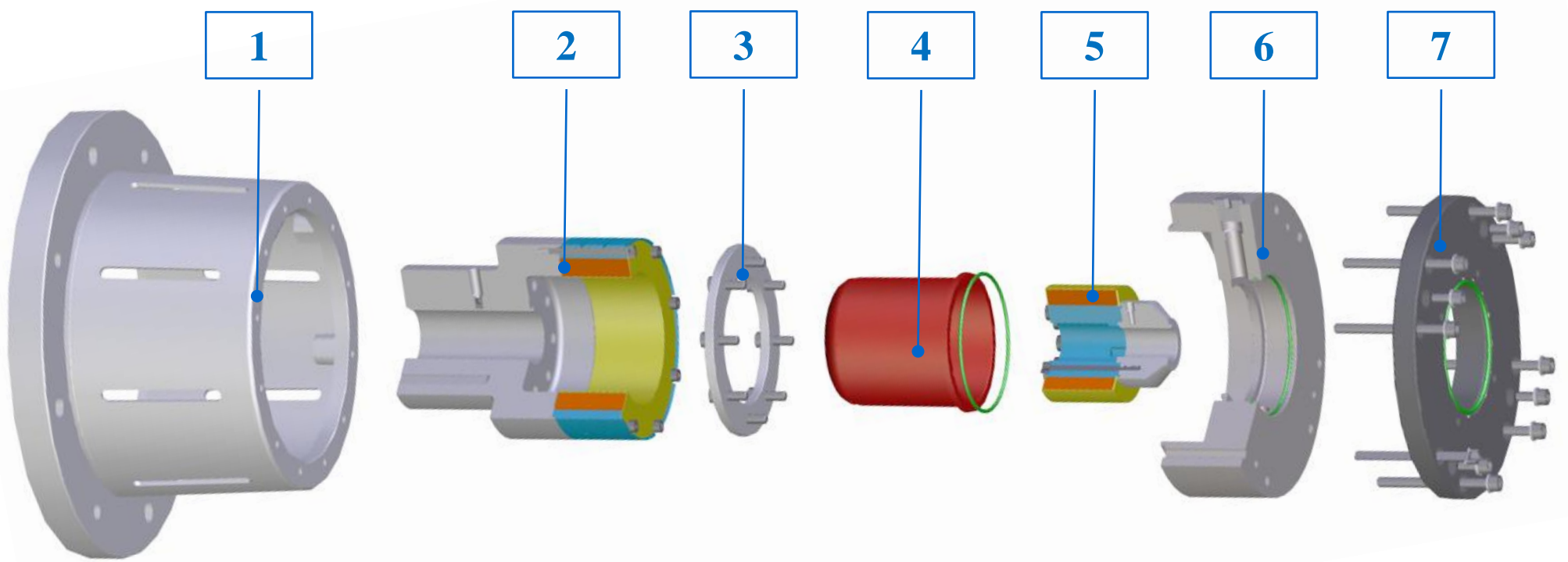


STOP LEAKAGE

STOP POLLUTION

STOP MAINTENANCE

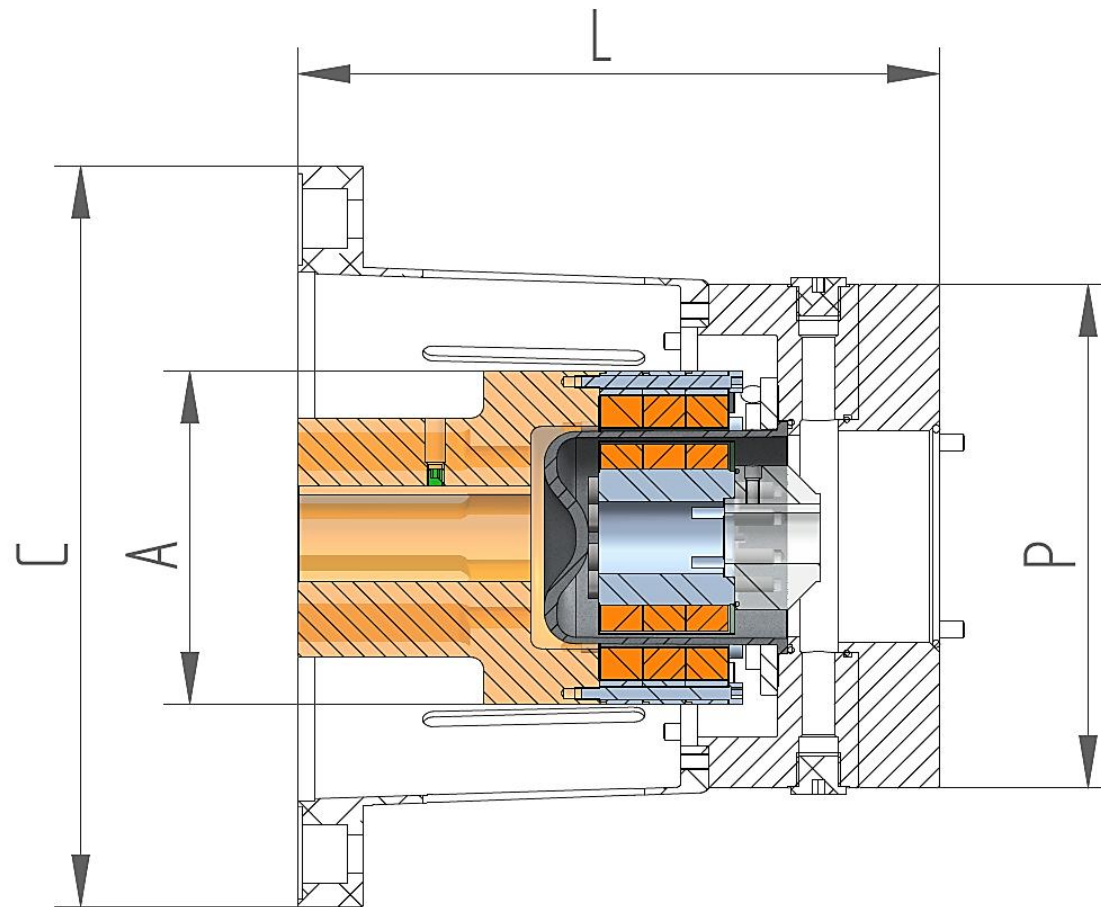
*made in Metau the talent's wave*



Pos.	Description	Material
1	Bell housing	Aluminum or cast iron
2	External rotor	
3	Separator locking ring	C40
4	Containment shroud ( separator )	AISI 304 or TECHNOPOLYMER
5	Internal rotor	
6	intermediate flange	Aluminum 6082
7	pump side flange	Aluminum 6082
-	-	-

<b>Magnets</b>	Neodymium (Ne)	maximum temperature : 120°C
	Samarium Cobalt (SmCo)	maximum temperature : 300°C
-	-	-
<b>Available torque</b> ( with Ne and SmCo )	With Ne magnets	From 9,4 up to 580 Nm
	With SmCo magnets	From 6 up to 380 Nm
-	-	-
<b>Coupling Speed</b>	Up to 3600 rpm	( Other values on request )
-	-	-
<b>Pressure into the containment shroud</b>	Stainless Steel AISI 304L or Stainless Steel AISI 316L or Ti gr5	max : <b>65 Bar</b> ( Other values on request )
	Technopolymer ( peek )	max : <b>25 Bar</b> ( Other values on request )





GME type :		Max torque ~ [Nm] at 20°C  <b>Ne</b> Neodymium	Max torque ~ [Nm] at 20°C  <b>SmCo</b> Samarium Cobalt	Dimensions [mm]				Electric Motor Size
Coupling Size	n° of magnets Rows			A	L	ØP	ØC	
GR L	1	9,4	6	89	128	128	200	From M.E. 80  ↑  ↓  Up to M.E. 250
GR 0	1	15,0	9,6	110	212	230	200	
	2	34,0	21,7				200 / 250	
GR 1	2	87,0	55,7	157	285	238	250 / 300	
	3	139,0	88,7				300 / 350	
GR 2	3	206,0	131,8	193	349	280	350 / 350	
	4	281,0	179,8				350 / 400	
GMD GR 3	From 4	From 290,0	From 213,0	-	-	-	-	
	Up to 8	Up to 580,0	Up to 380,0	-	-	-	-	

Notes :

- The shown dimensions must be considered approximated. The final dimensions will be shown on the 2D and 3D drawing that will be sent you in case of order



**From 0,5 Nm**



**up to 3000 Nm torque**



## Our main benefit

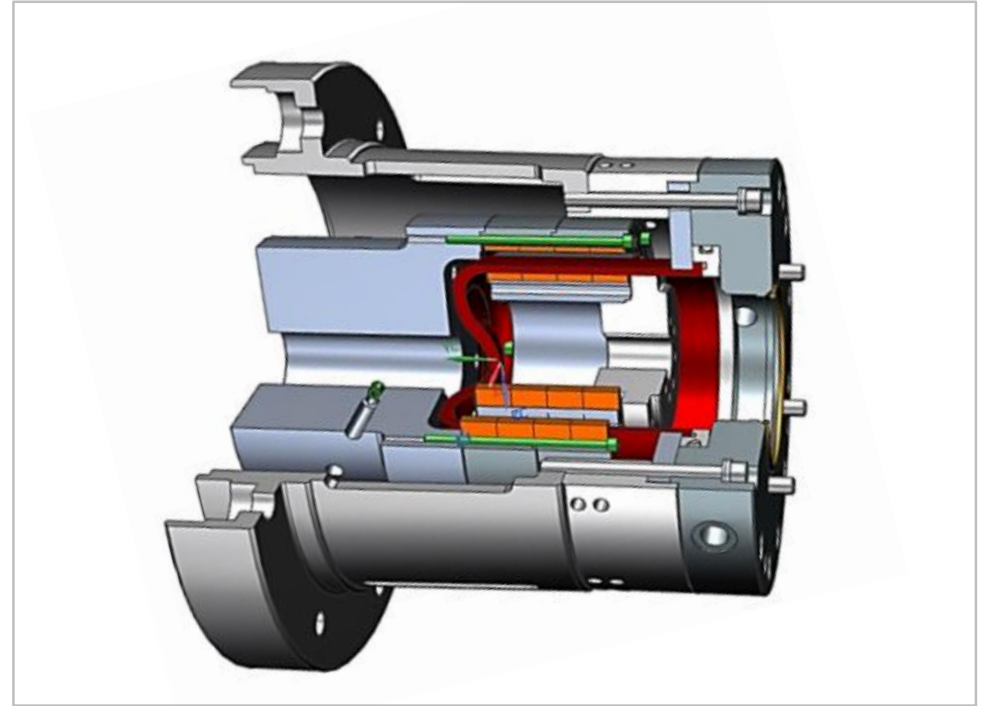
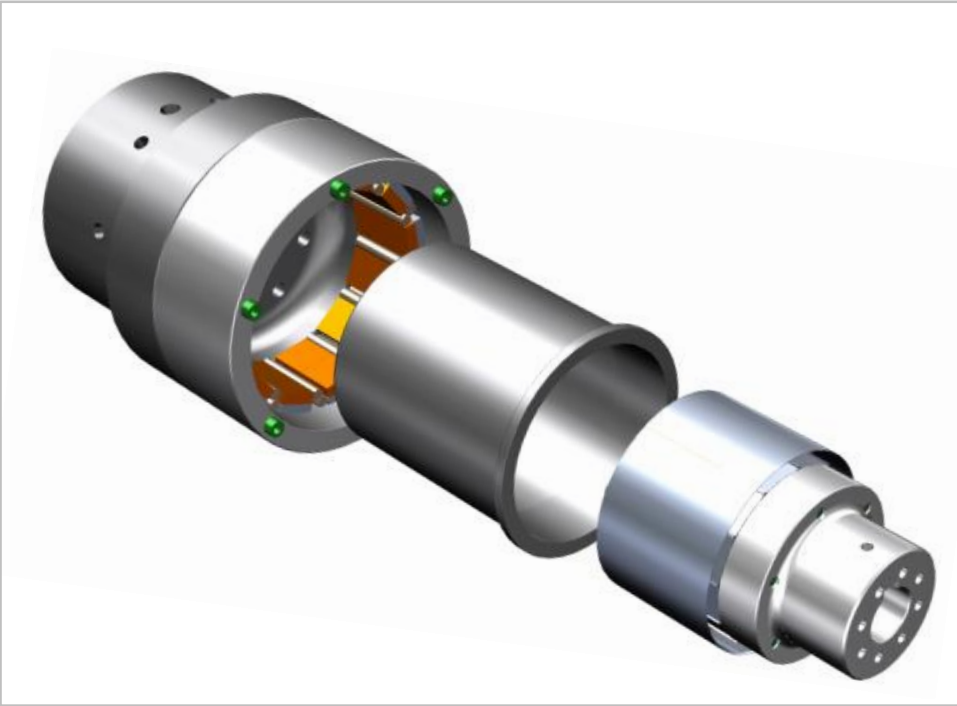
100% static torque test with report for Customer

Real tailor made solutions

API suitable models

100% made in Italy Production

Available on request dimensionally interchangeable magnetic couplings with the major European manufacturers



## Our main application fields

Applications with every type of pumps ( piston ; gear ; etc )

Poliurethan industry

Dosing systems

Compressors

Sterilizers

Industrial ovens

Agitators

Submarine equipment

Pharmaceutical industry

Chemical industry

Food industry

Phone +39 0331-857000 - Fax +39 0331-859132

[www.magnetic-coupling.it](http://www.magnetic-coupling.it) - [www.metau-engineering.it](http://www.metau-engineering.it) - [info@metau-engineering.it](mailto:info@metau-engineering.it)