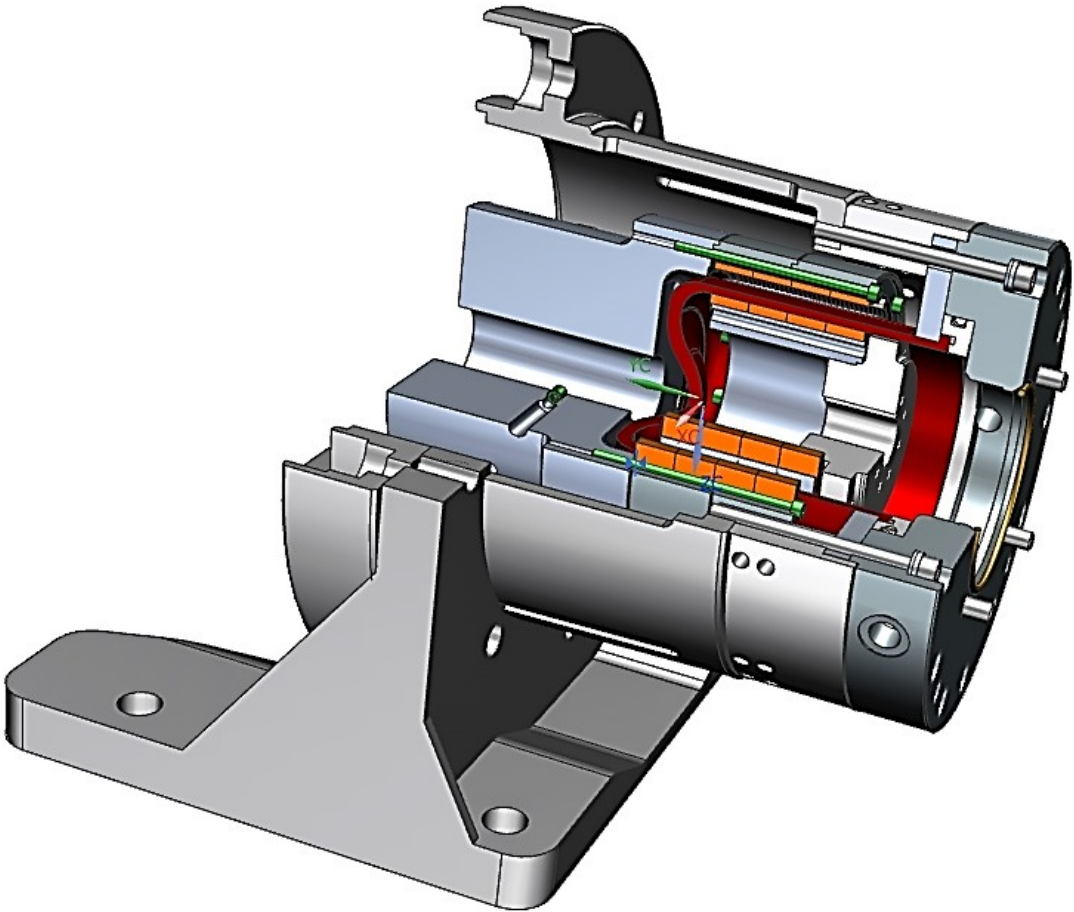


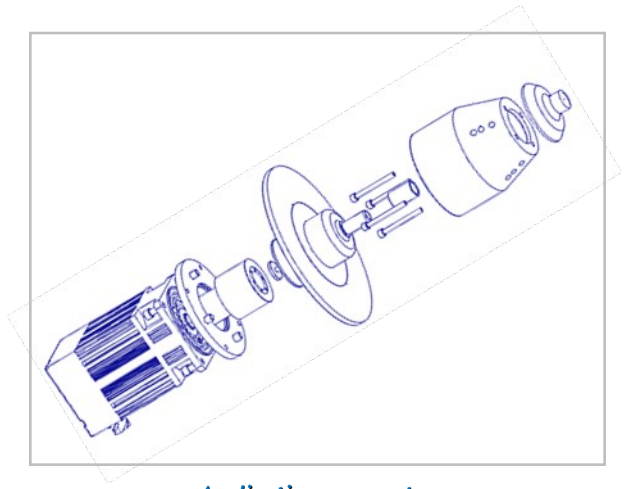
stop
pollution



Just a few examples of the applications performed



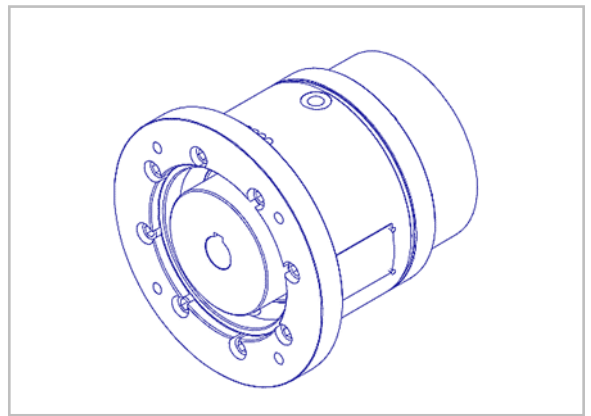
Application on low pressure foaming machine



Application on reactor



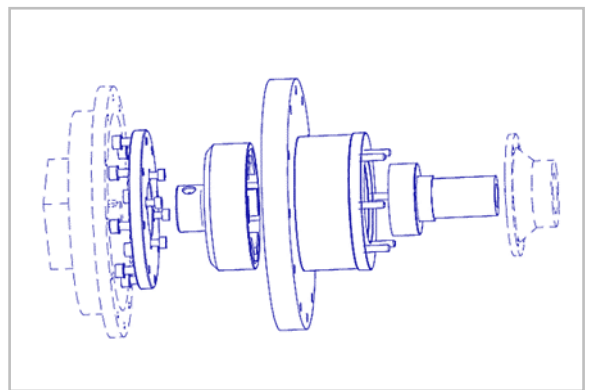
Application on MDF wood gluing machine



Application on Sterilizer or autoclave

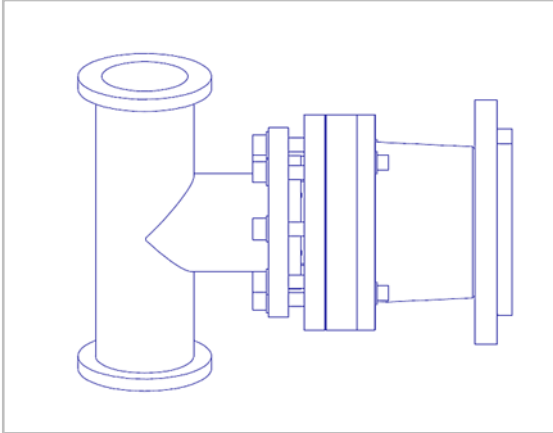


Application on resin bonder machine, fluid charge up



Application on underwater equipment

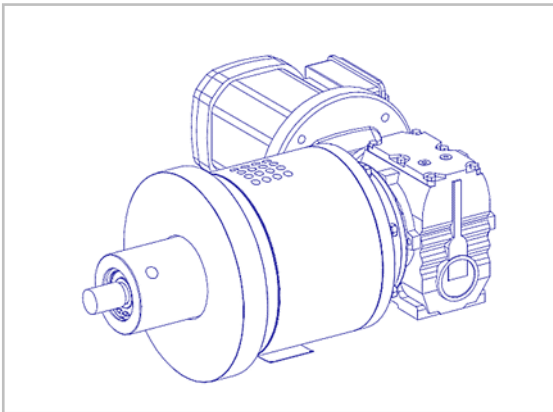
Just a few examples of the applications performed



Application on turbine (electrical generator)



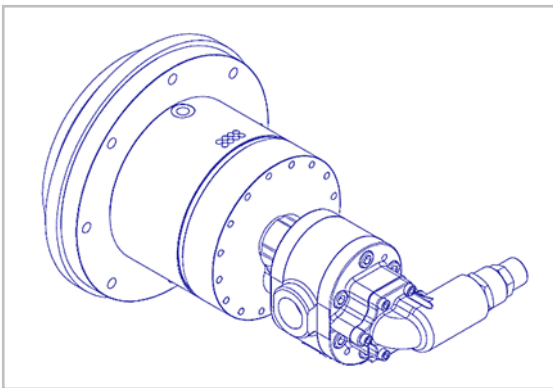
Application on storage plant



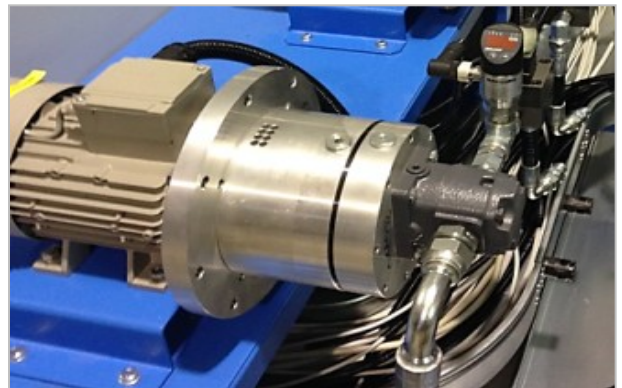
Application on Mixer



Application on high pressure machine for polyurethane



Application on Compressor



Application on emulsifier